



Finger-jointed components by **Stora Enso**



Finger-jointed components by Stora Enso

Produced from carefully graded sustainable solid pine and spruce, Stora Enso finger-jointed components can be produced with horizontal or vertical finger-joints. Working with our customers, our finger-jointed components are entirely custom-made.

We can produce finger-joint products with continuous grain and appearance, in optimal lengths using the latest scanning technology and the highest quality adhesive glues.

End use

Window sashes, frames, posts, skirtings and more
Door frames, jambs, posts, stiles, rails, thresholds and more
Mouldings
Panelling
Furniture and fittings
Other applications

Product range

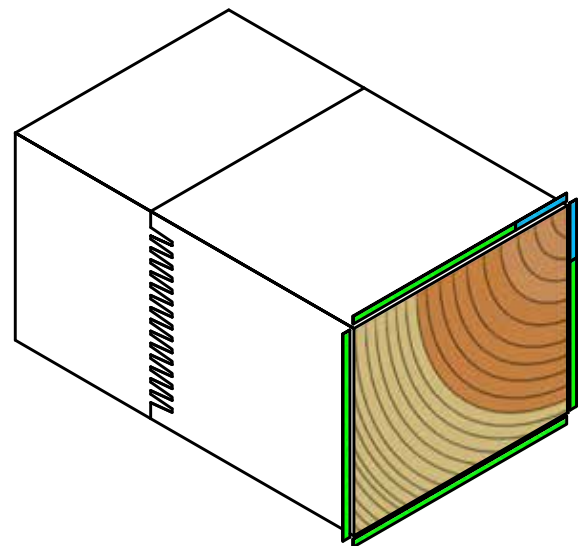
Defect free
Knot free
Sound knots
Continuous grain structure

Quality

- Precision fabrication of all our products deliver uniform quality with highly accurate size tolerances, enabling maximum performance for windows and doors for decades to come.
- Stora Enso's wood manufacturing units are covered by third-party certified management systems for quality (ISO 9001), environment (ISO 14001), and occupational health and safety (OHSAS 18001).
- Country specific product quality certificates include Nordic Certified Scantlings, RISE/CR022 and Vindues Industrien (DVV) certificates (certificates can be found on Stora Enso's web page).

Sustainability

- All raw materials are carefully selected from our biodiverse and sustainably managed forests. We scan (x-ray) all wood to guarantee the best possible quality, according to customer specifications.
- The wood supply chains to Stora Enso's production units are covered by a wood traceability system, which is third-party certified according to PEFC™ or FSC® Chain of Custody system, or according to both systems.
- Sustainability documents, including EPDs can be found on Stora Enso's web page.



Technical information

Thickness	18–72 mm
Widths	Max 165 mm
Lengths	Cut-to-length, max 6 m
Wood species	Pine, Spruce
Moisture content	10–14% +/- 2%
Glue	PVAc D3/D4

Find documents and more information on
storaenso.com/industrialcomponents